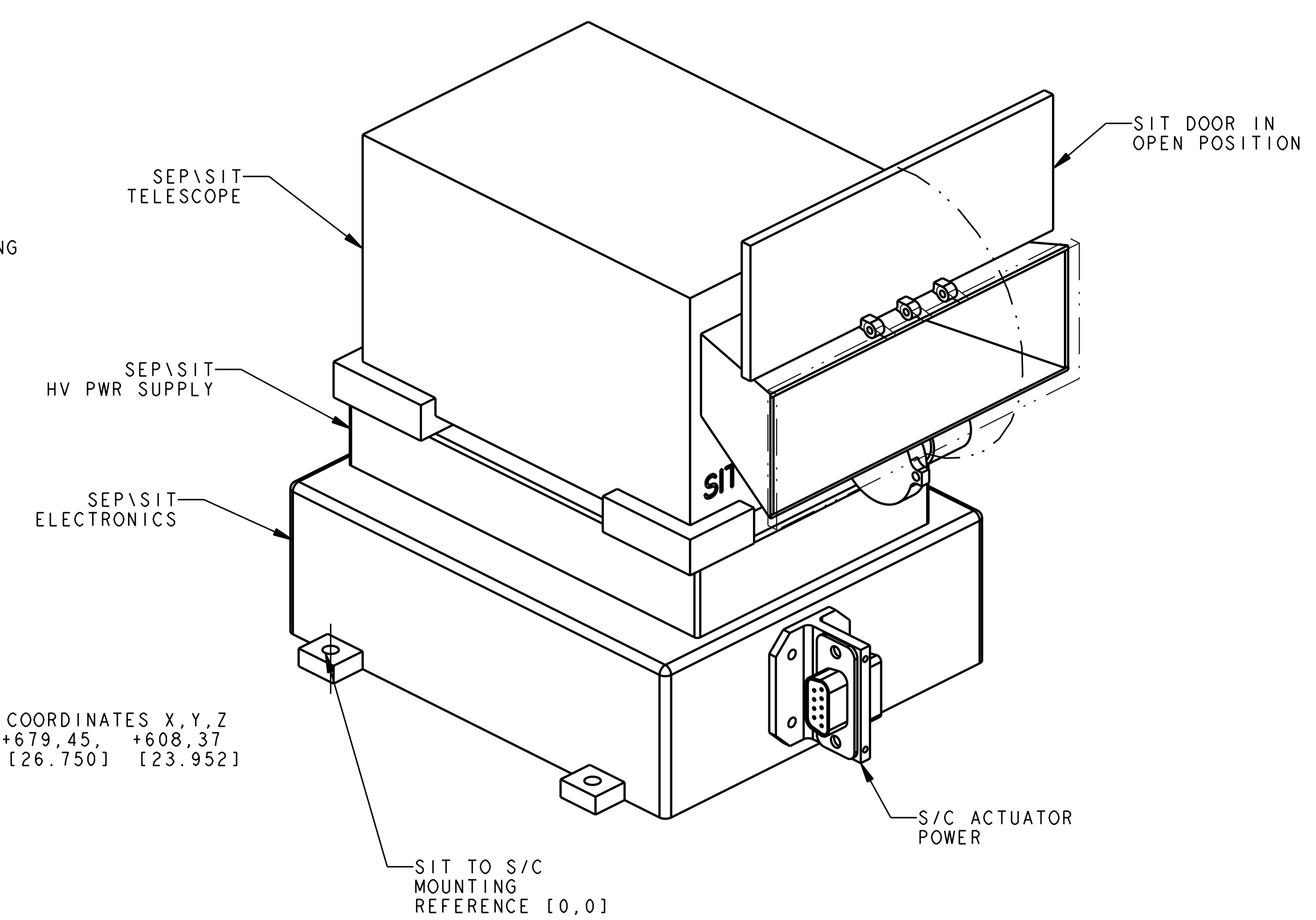
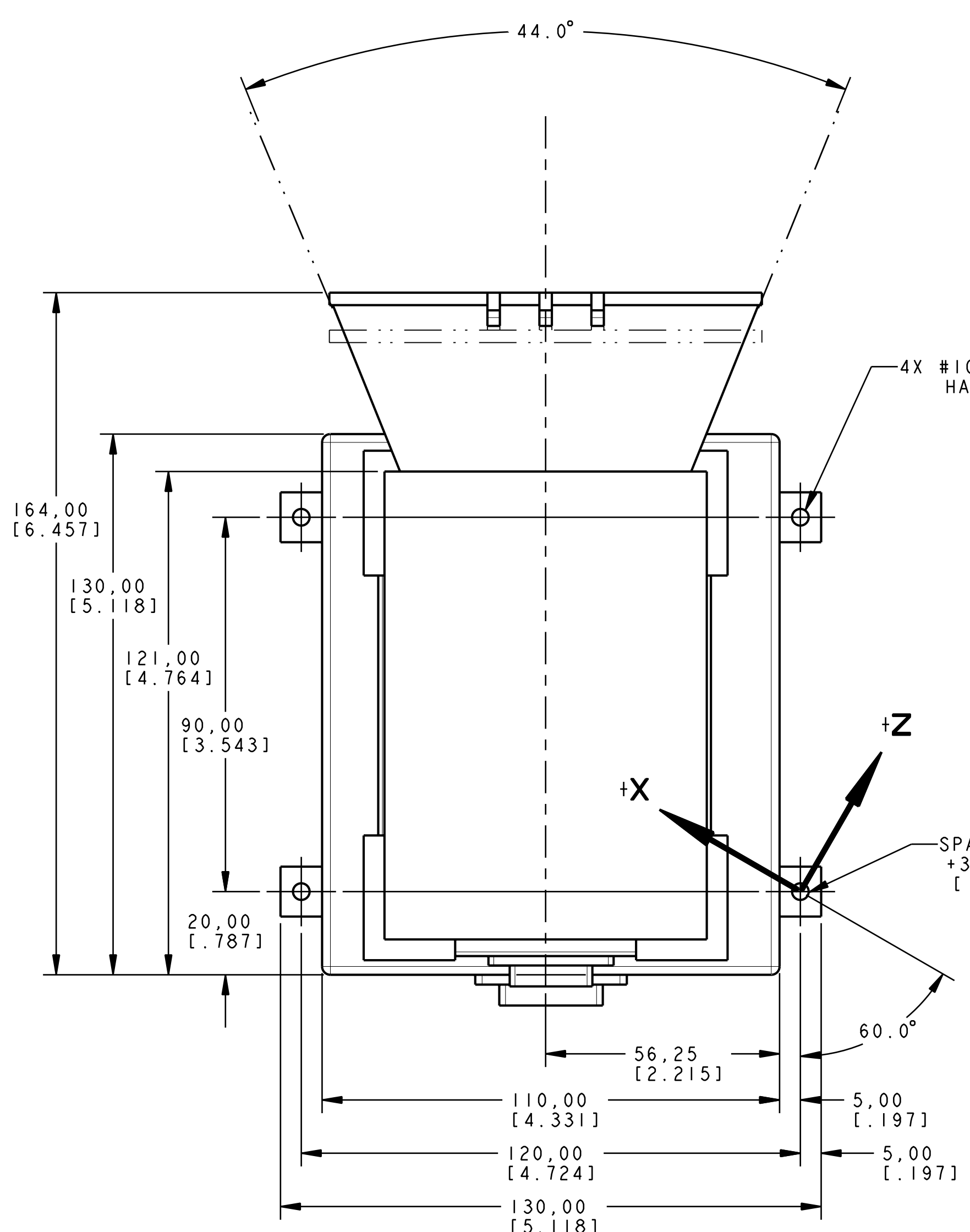
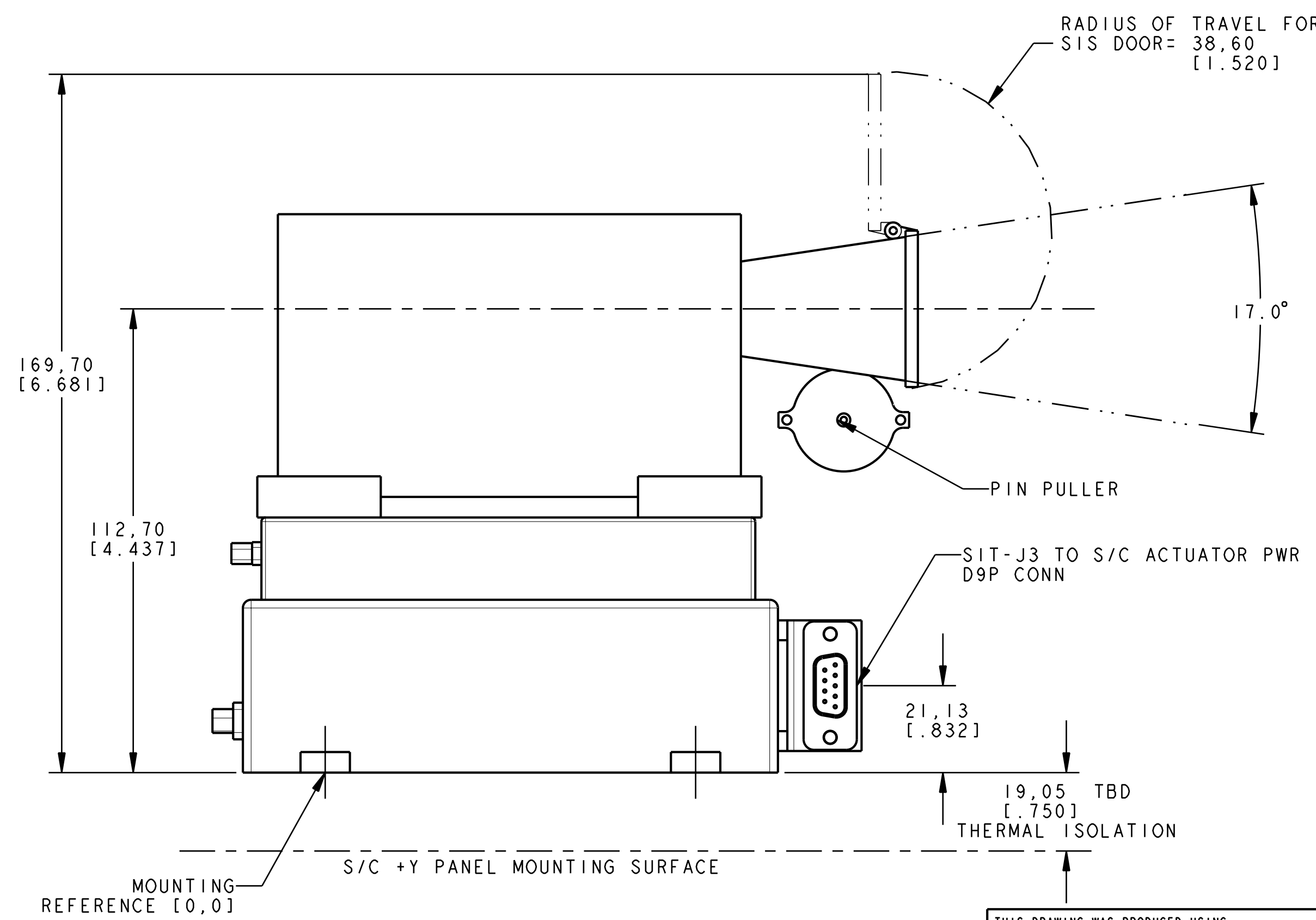
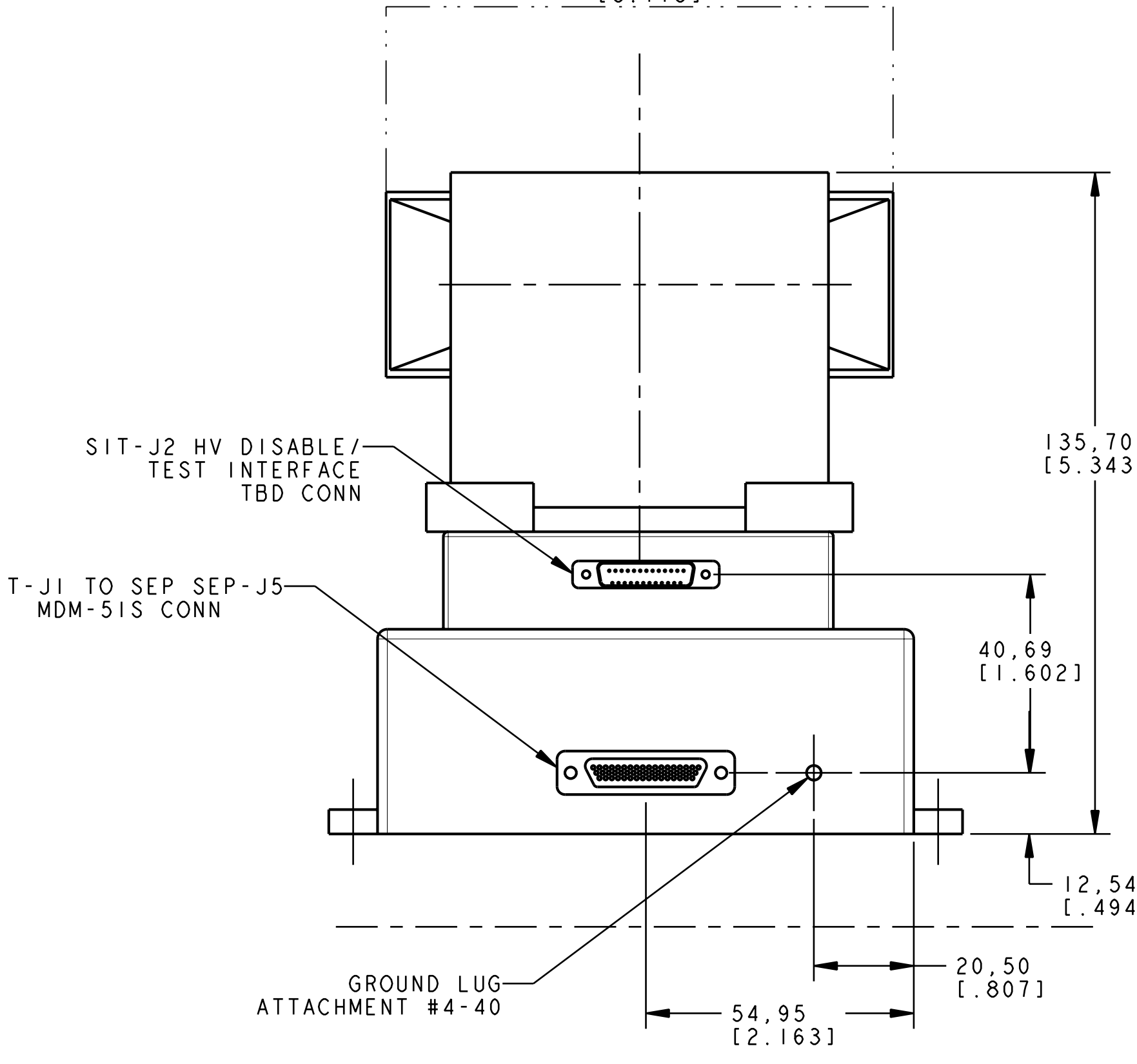


REVISION				
SYM	ZONE	DESCRIPTION	DATE	APPROVAL
-	-	-	-	-



NOTES: UNLESS OTHERWISE NOTED

- ESTIMATED EXPERIMENT MASS: 1.23 Kg
- ESTIMATED CENTER OF GRAVITY FROM DATUMS
X, Y AND Z: X Y Z
TBD TBD TBD
[TBD] [TBD] [TBD]
- INERTIA MATRIX:
THE INERTIA MATRIX IS CALCULATED BY PRO-E
I_{XX}= TBD I_{XY}= TBD I_{XZ}= TBD
I_{YX}= TBD I_{YY}= TBD I_{YZ}= TBD
I_{ZX}= TBD I_{ZY}= TBD I_{ZZ}= TBD
NOTE: THESE ARE BOX COORDINATES, NOT S/C COORDINATES.
- INSTRUMENT WILL BE MOUNTED TO SPACECRAFT ON THERMALLY ISOLATING BUSHINGS, MAT'L AND SIZE IS STILL TBD.
- INSTRUMENT FIELD OF VIEW IS TO BE KEPT CLEAR FROM OBSTRUCTIONS WITHOUT PRIOR CONSENT FROM THE INSTRUMENT TEAM.
- PURGE CONNECTOR, TBD, WILL RECEIVE PURGE FROM MAIN SEP INSTRUMENT VIA PURGE LINE SUPPLIED.
- INSTRUMENT MOUNTING LOCATION ON SPACECRAFT SHOWN ON SHEET 2; AND FIELD OF VIEW ORIGIN AND SIZE SHOWN ON SHEET 3.
- RED TAG SHORTING PLUG WILL BE PROVIDED FOR HIGH VOLTAGE CONNECTOR SIT-J2 AND SHOULD BE REPLACED BY GREEN TAG COVER PRIOR TO LAUNCH.
- GREEN TAG COVER WILL BE PROVIDED FOR HIGH VOLTAGE SHORTING CONNECTOR SIT-J2 AND SHOULD BE INSTALLED PRIOR TO LAUNCH.



DIMENSIONS ARE IN MILLIMETERS (INCHES)

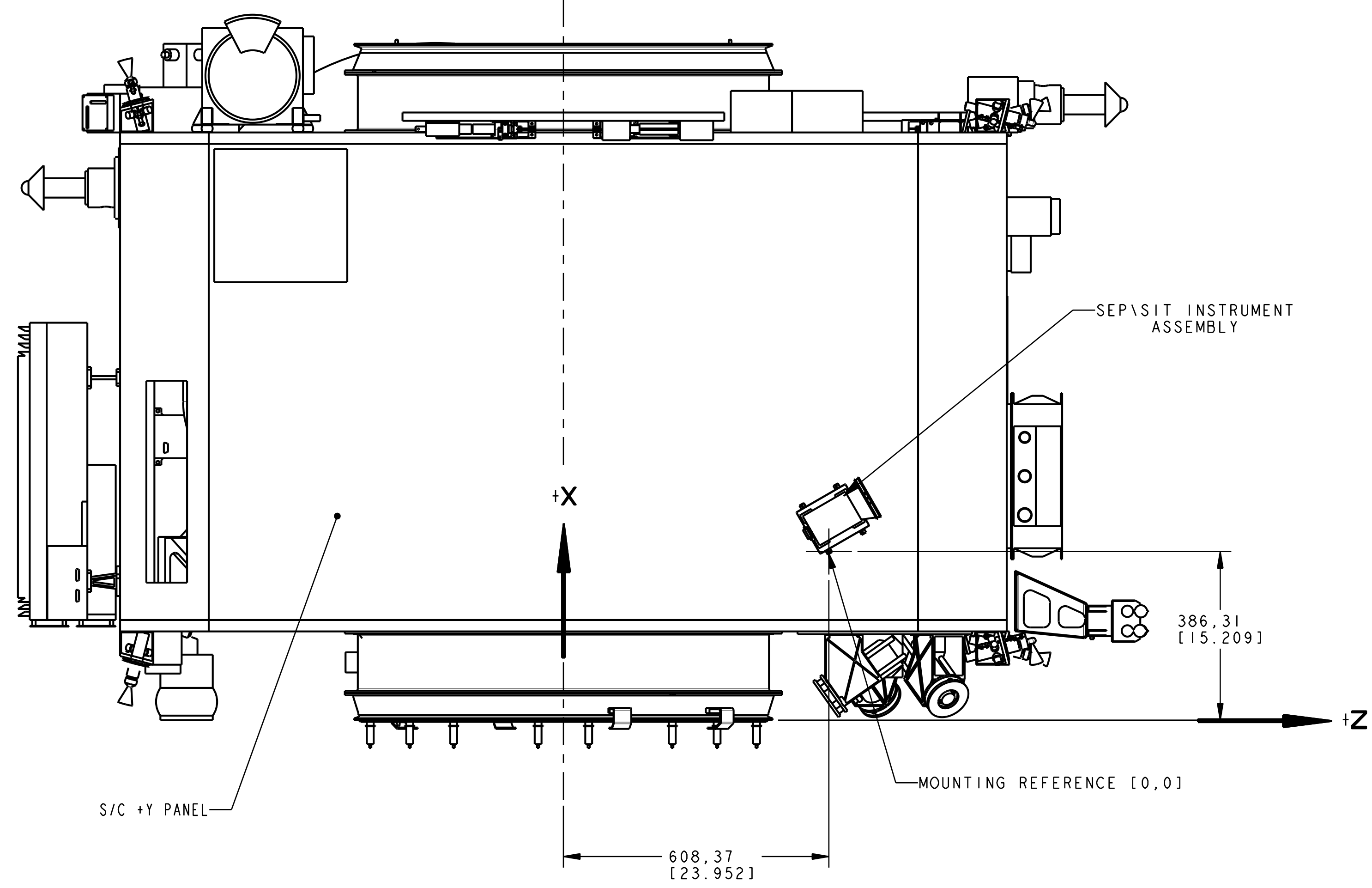
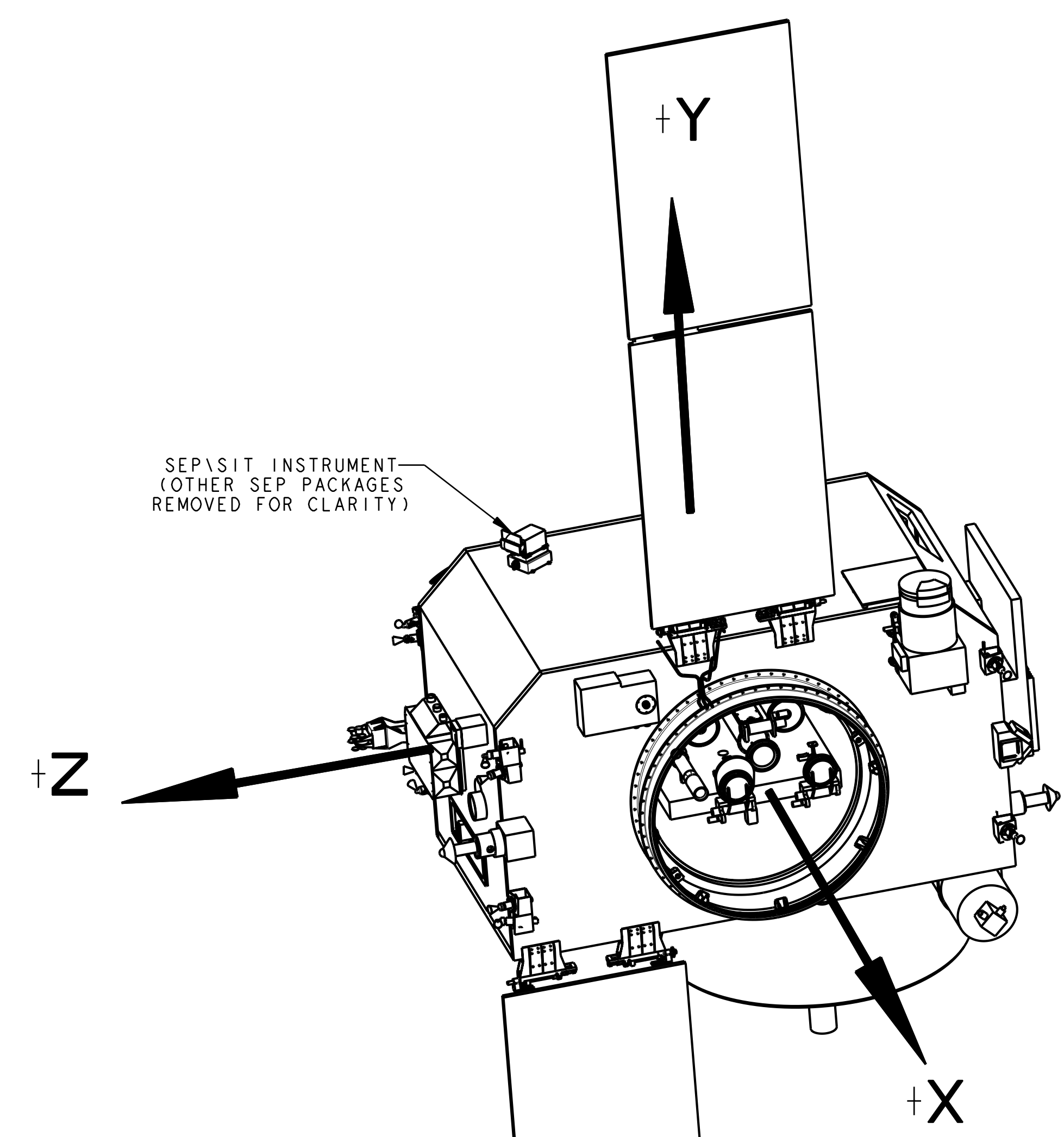
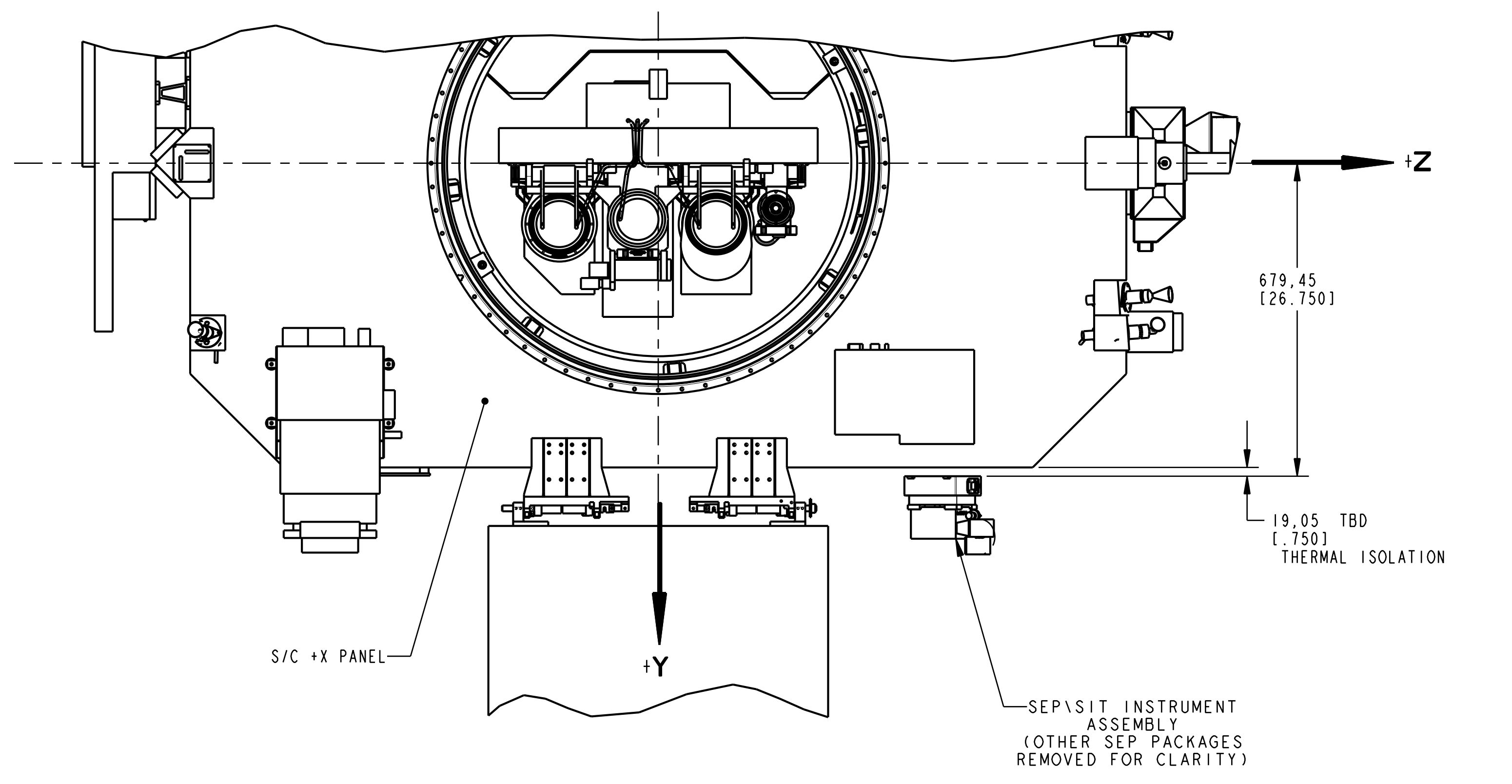
SIT INSTRUMENT ASSEMBLY

THIS DRAWING WAS PRODUCED USING
SOFTWARE: Pro/ENGINEER VERSION: 2001
FILE NAME: 2053410
MODEL NAME: SIT-INSTRUMENT-ASSY

ITEM NO.	RECD	RECD	PART NO.	DESCRIPTION	MATERIAL	MATERIAL SPEC & NO.
LIST OF MATERIAL						
TOLERANCES: XX .XXX ≤ FRACTIONS 125 ±0.10 ±0.05 ±0.1 ± 1/16						
UNLESS OTHERWISE SPECIFIED-DIMENSIONS ARE IN MILLIMETERS						
REMOVE ALL BURRS AND SHARP EDGES R.010 OR CHAMFER MAX.						
<input checked="" type="checkbox"/> FLIGHT HARDWARE <input type="checkbox"/> NON-FLIGHT <input type="checkbox"/> HARDNESS TEST NOT REQUIRED <input type="checkbox"/> TEST HARDNESS PER ASTM E-18, LOCATION OPTIONAL <input type="checkbox"/> TEST HARDNESS PER ASTM E-18 WHERE INDICATED ON FIELD OF DRAWING THUS Ⓞ						
<input type="checkbox"/> NO NON-DESTRUCTIVE EXAMINATION (NDE) REQ'D <input type="checkbox"/> NDE REQUIRED PER S-313-009 CODE						
NATIONAL AERONAUTICS AND SPACE ADMINISTRATION Goddard Space Flight Center Greenbelt, Maryland				DRAWING INTERPRETED PER GSFC-4673-64-1		
DESIGNER SHUMAN			INIT.		DATE	
DRAWN SHUMAN			CHECKED VONROSEVINGE		TITLE	
APPROVED ---			APPROVED-ENGINEER ---		GD 2053410	
APPROVED-ENGINEER ---			APPROVED-ENGINEER ---		CODE: 663 SCALE: 1/1 WEIGHT: SHEET: 1 OF 3	
NEXT ASSEMBLY		USED ON				

GD2053410

REVISION				
SYM	ZONE	DESCRIPTION	DATE	APPROVAL
-	-	-	-	-



STEREO AHEAD S/C
SCALE 1/16

DIMENSIONS ARE IN MILLIMETERS (INCHES)

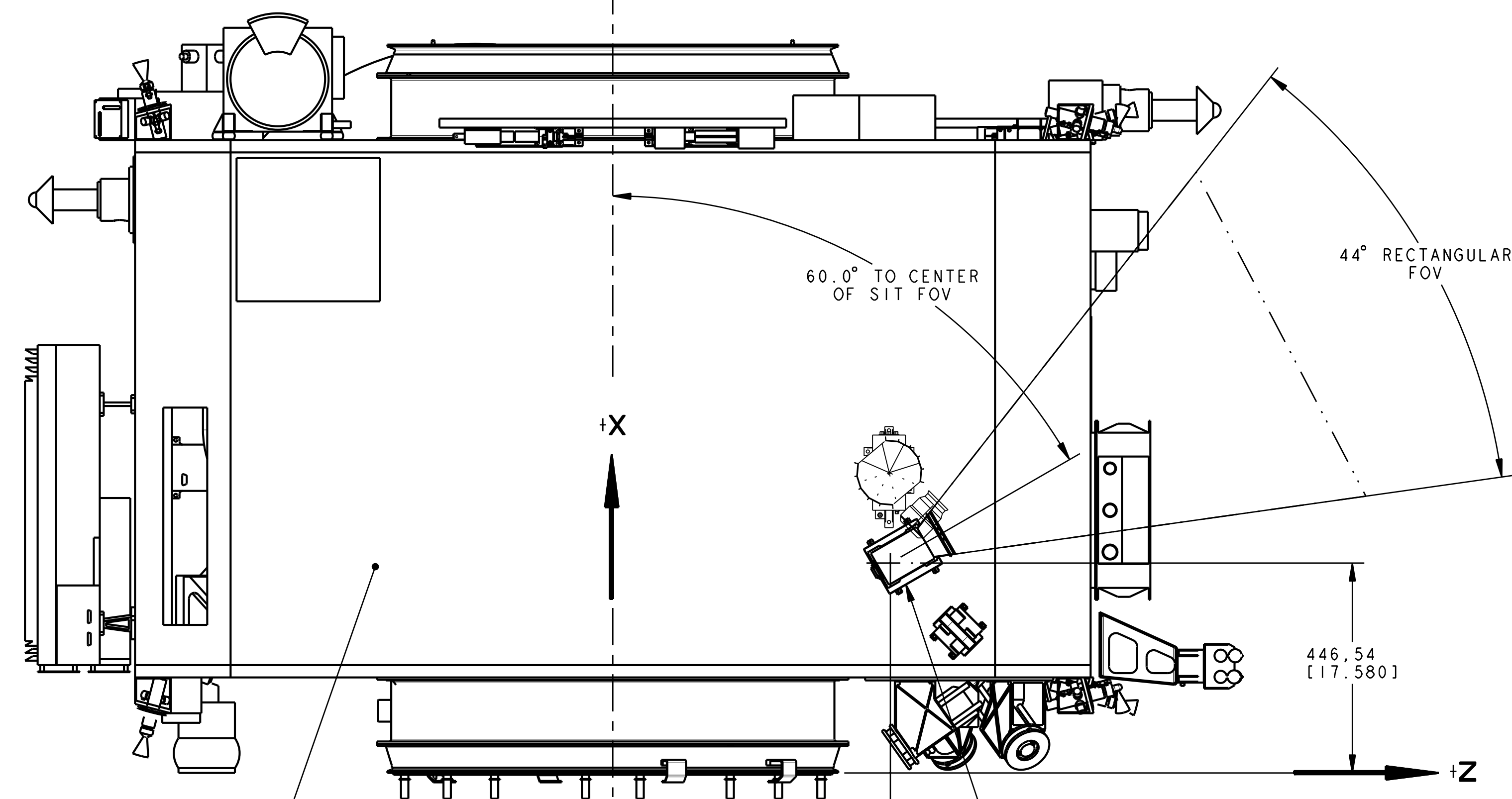
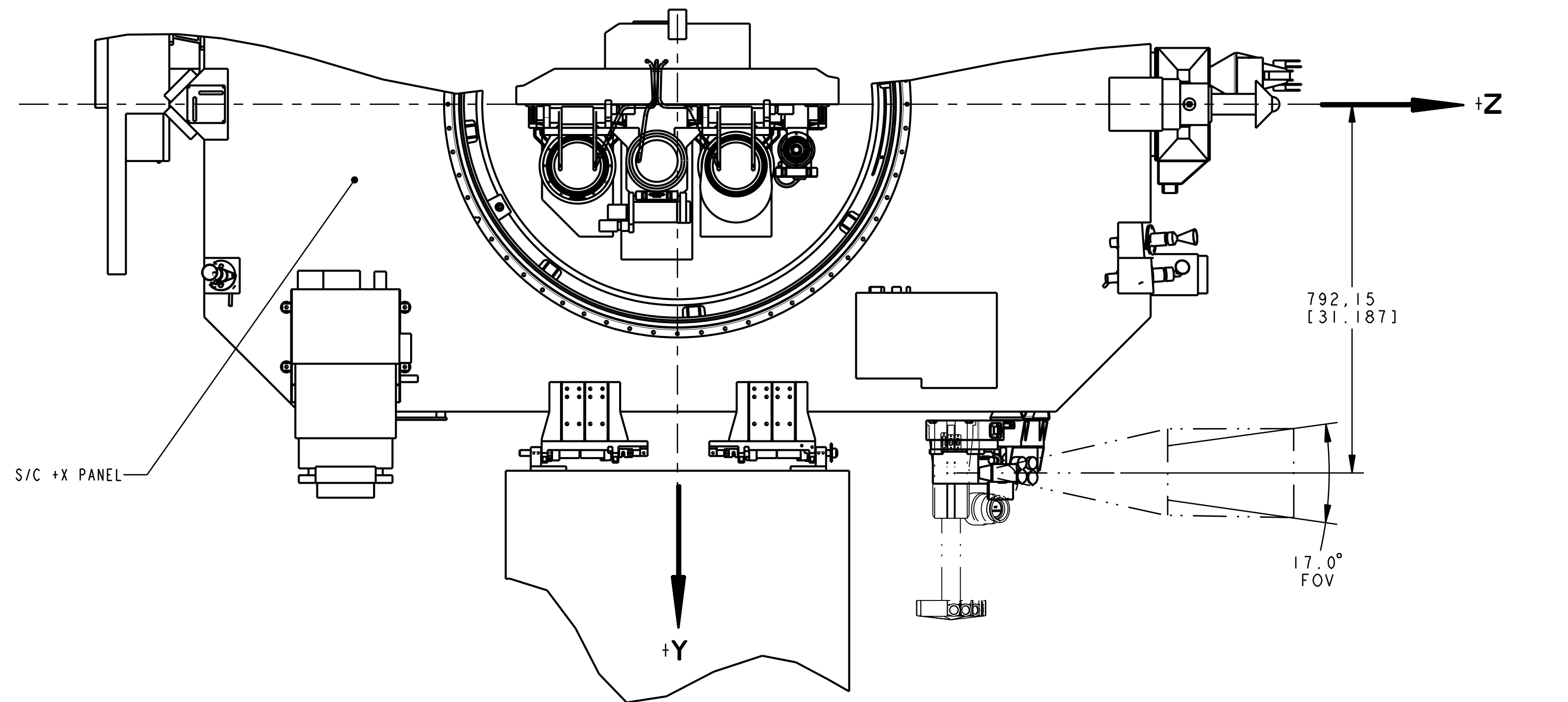
SEP/SIT ASSEMBLY MOUNTING LOCATION

SPACECRAFT COORDINATES [X,Y,Z]
+386.31 +679.45 +608.37
[15.211] [26.750] [23.952]

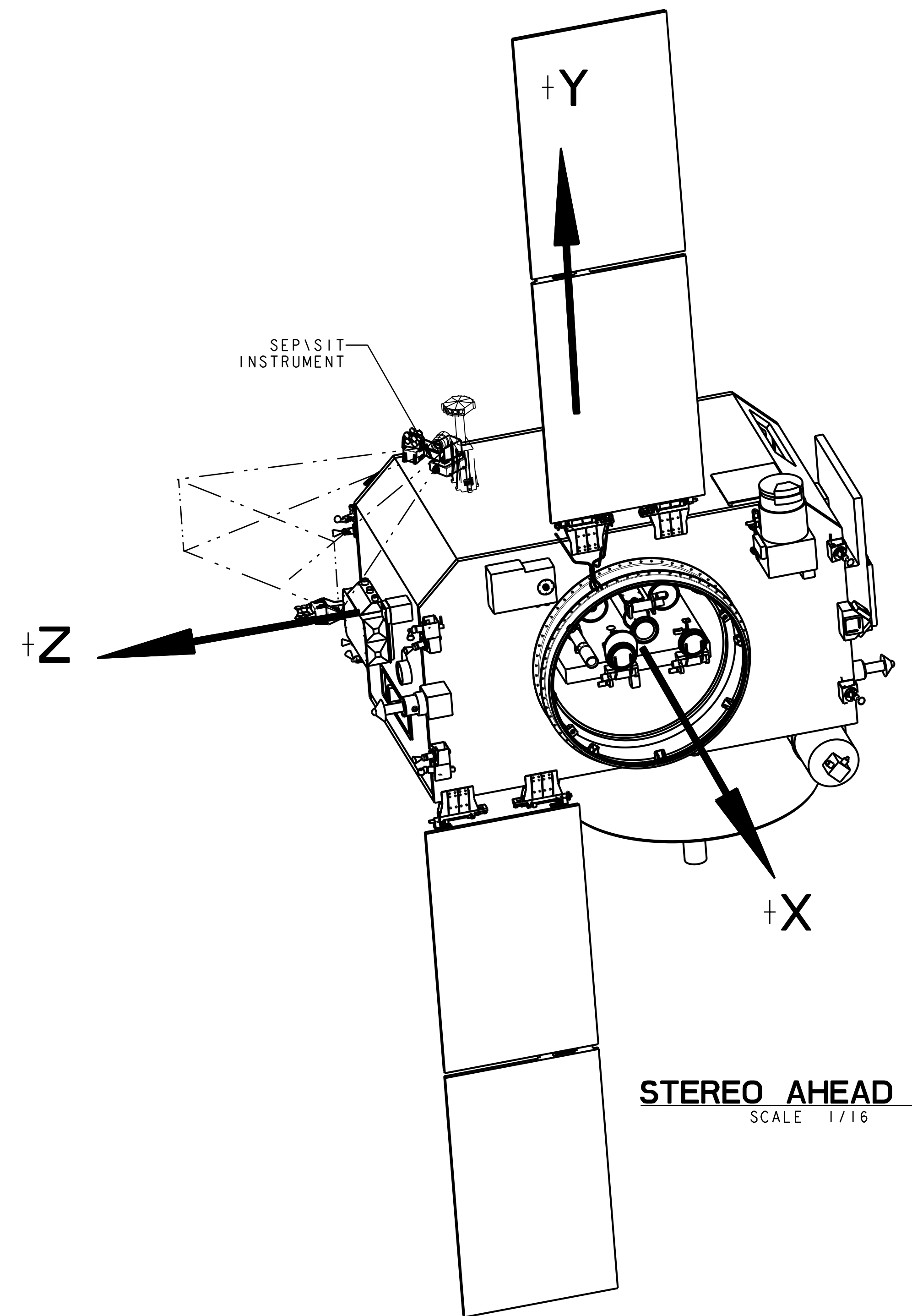
NATIONAL AERONAUTICS AND SPACE ADMINISTRATION			Goddard Space Flight Center		Greenbelt, Maryland
NAME	INIT.	DATE	DRAWING INTERPRETED PER GSFC-4673-64-1		
DESIGNER	SHUMAN		TITLE		
DRAWN	SHUMAN		INTERFACE CONTROL DRAWING SEP/SIT INSTRUMENT STEREO AHEAD SPACECRAFT		
CHECKED	VONROSEVINGE				
APPROVED					
APPROVED					
APPROVED-STRESS			GD	2053410	-
APPROVED-ENGINEER			CODE: 663	SCALE: 0/1	SHEET: 2 OF 3

GD2053410

REVISION				
SYM	ZONE	DESCRIPTION	DATE	APPROVAL
-	-	-	-	-



SEP SIT TELESCOPE FIELD OF VIEW
 DIMENSIONS SHOWN FROM S/C ORIGINS
 TO FIELD OF VIEW ORIGIN
 F.O.V.: 44° X 17° RECTANGULAR



**DIMENSIONS ARE IN MILLIMETERS
[INCHES]**

NATIONAL AERONAUTICS AND SPACE ADMINISTRATION			Goddard Space Flight Center		Greenbelt, Maryland
NAME	INIT.	DATE	DRAWING INTERPRETED PER GSFC-4673-64-1		
DESIGNER SHUMAN			TITLE		
DRAWN SHUMAN			INTERFACE CONTROL DRAWING SEP SIT INSTRUMENT STEREO AHEAD SPACECRAFT		
CHECKED VONROSEVINGE					
APPROVED -					
APPROVED- STRESS ---					
APPROVED- ENGINEER ---			GD	2053410	-
CODE: 663			SCALE: 0/1	SHEET: 3 OF 3	

FOLD LINE
GD2053410