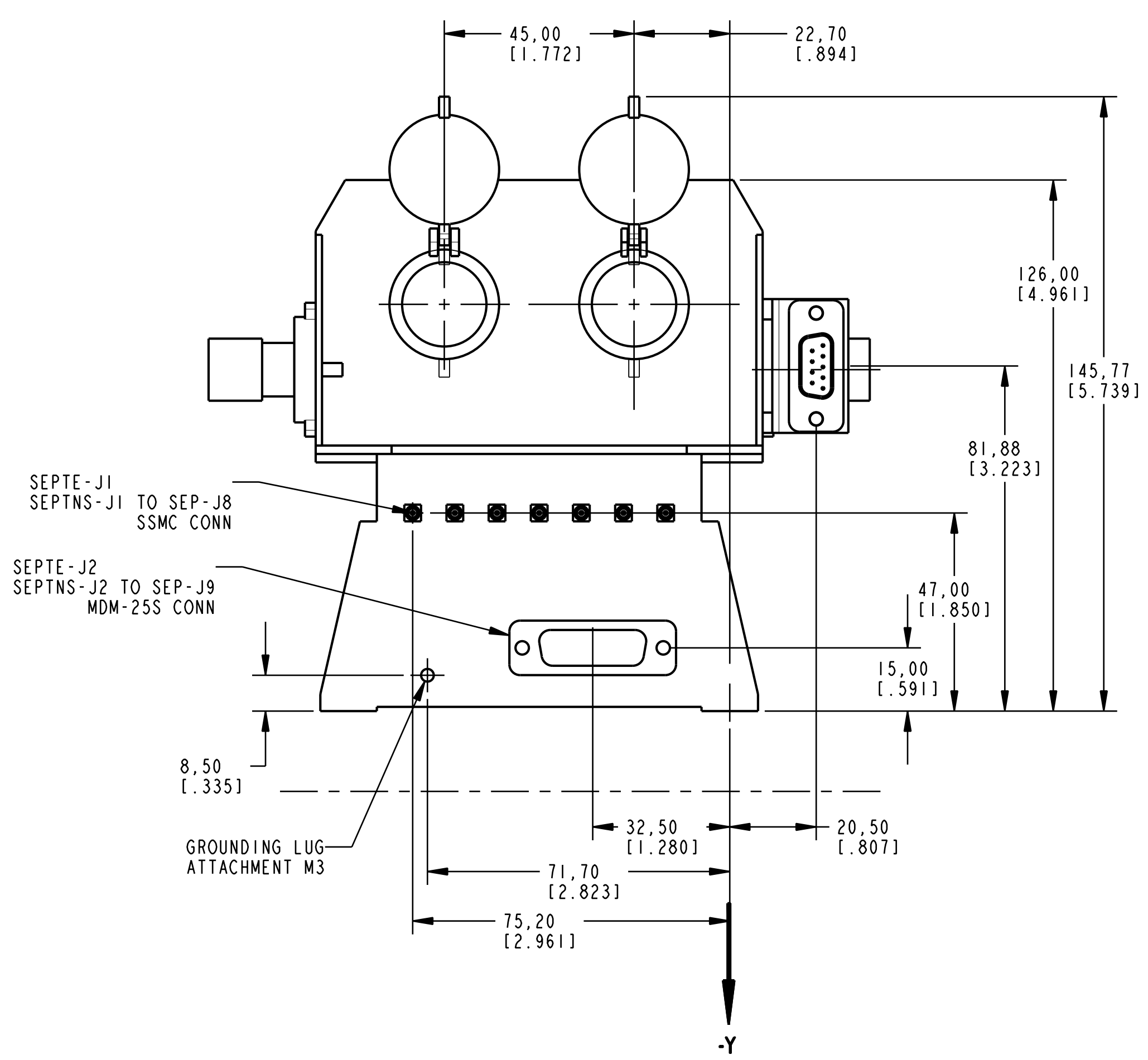
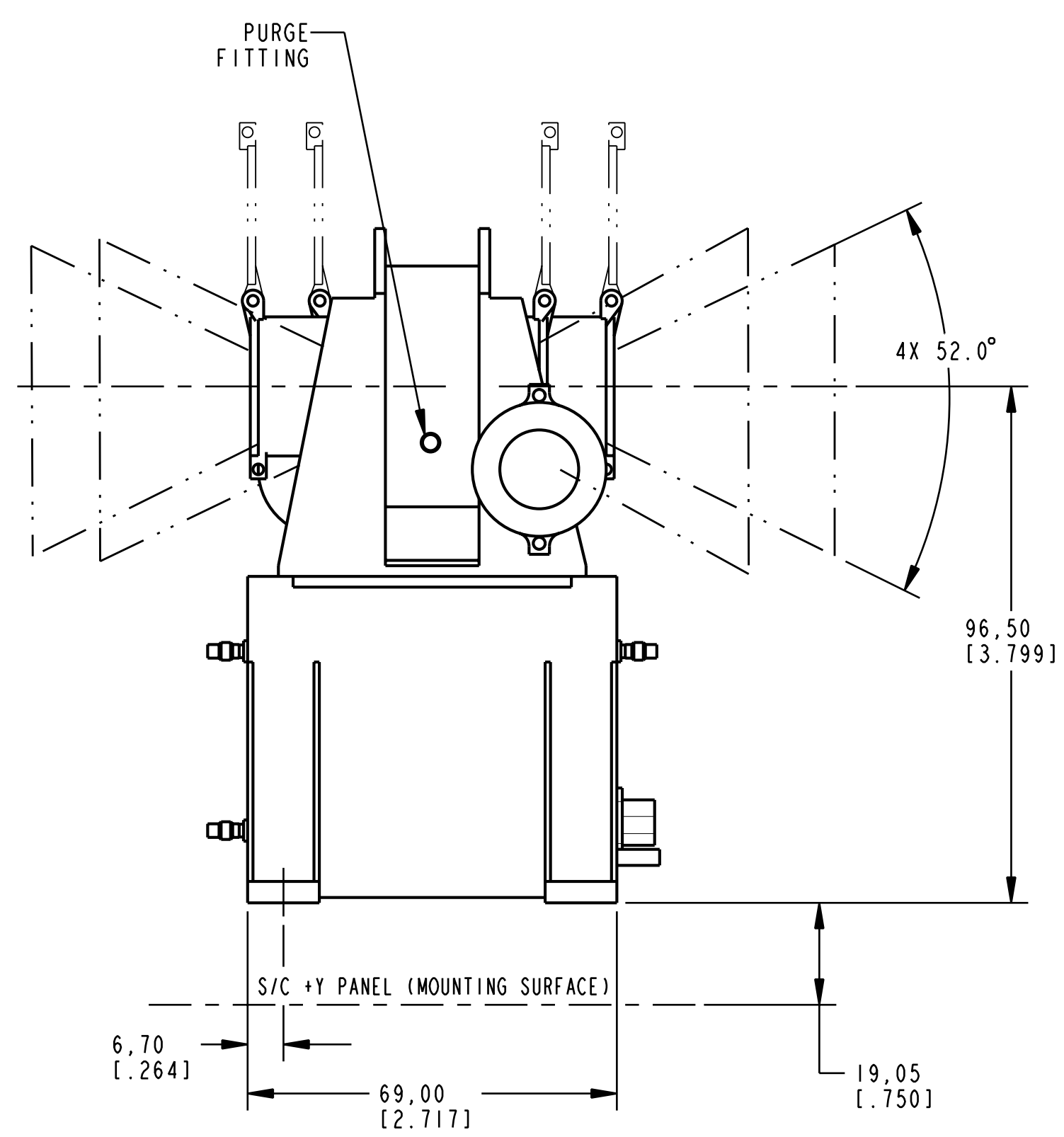
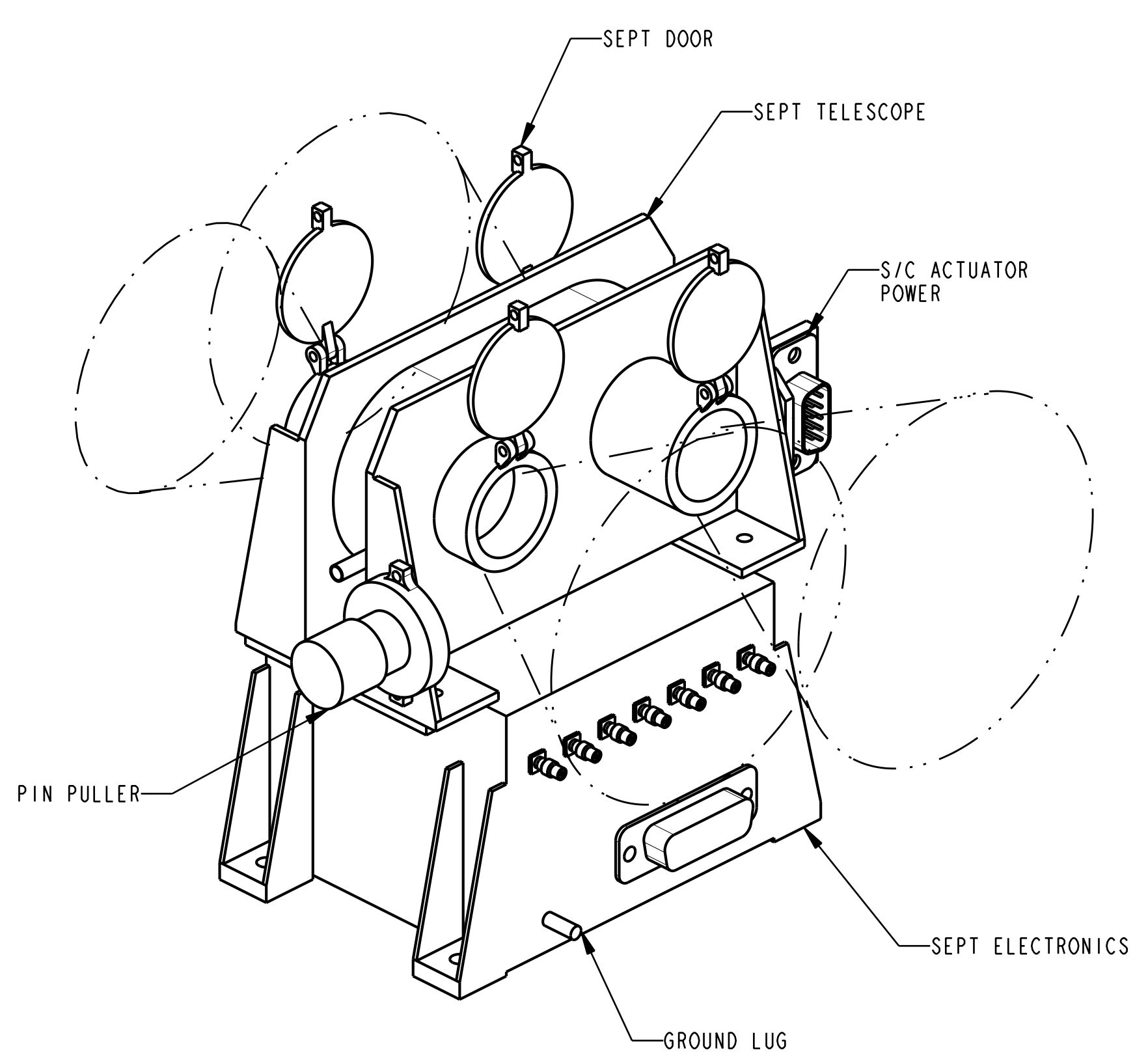


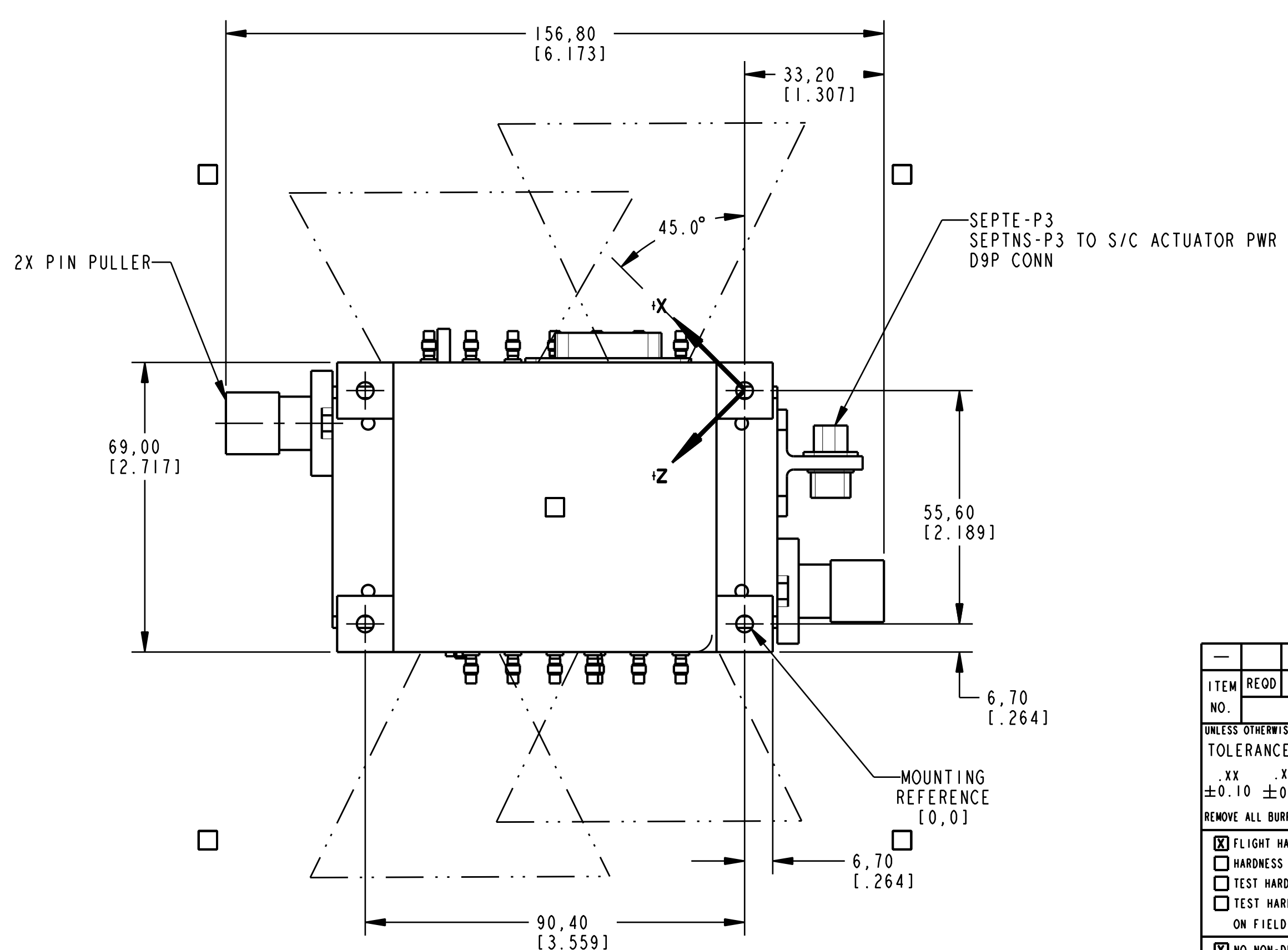
REVISION				
SYM	ZONE	DESCRIPTION	DATE	APPROVAL
-	-	-	-	-



- NOTES: UNLESS OTHERWISE NOTED
- ESTIMATED SEPT-E EXPERIMENT MASS: 0.52 Kg  
ESTIMATED SEPT-NS W/BRKT EXPERIMENT MASS: 0.79 Kg  
BRACKET ATTACHMENT FOR SEPTNS SHOWN ON SHT2.
  - ESTIMATED CENTER OF GRAVITY FROM DATUMS  
X, Y AND Z:  
TBD      TBD      TBD  
[TBD]   [TBD]   [TBD]
  - INERTIA MATRIX:  
THE INERTIA MATRIX IS CALCULATED BY PRO-E  
I<sub>XX</sub>= TBD   I<sub>XY</sub>= TBD   I<sub>XZ</sub>= TBD  
I<sub>YX</sub>= TBD   I<sub>YY</sub>= TBD   I<sub>YZ</sub>= TBD  
I<sub>ZX</sub>= TBD   I<sub>ZY</sub>= TBD   I<sub>ZZ</sub>= TBD  
NOTE: THESE ARE BOX COORDINATES, NOT S/C COORDINATES.
  - INSTRUMENT WILL BE MOUNTED TO SPACECRAFT ON THERMALLY ISOLATING BUSHINGS, MAT'L AND SIZE IS STILL TBD.
  - INSTRUMENTS FIELDS OF VIEW ARE TO BE KEPT CLEAR FROM OBSTRUCTIONS WITHOUT PRIOR CONSENT FROM THE INSTRUMENT TEAM.
  - PURGE CONNECTOR, TBD, WILL RECEIVE PURGE FROM MAIN SEP INSTRUMENT VIA PURGE LINE SUPPLIED.
  - INSTRUMENT MOUNTING LOCATION ON SPACECRAFT SHOWN ON SHEETS 2 & 3; AND FIELD OF VIEW ORIGINS AND SIZES SHOWN ON SHEET 4.



SCALE 1.000



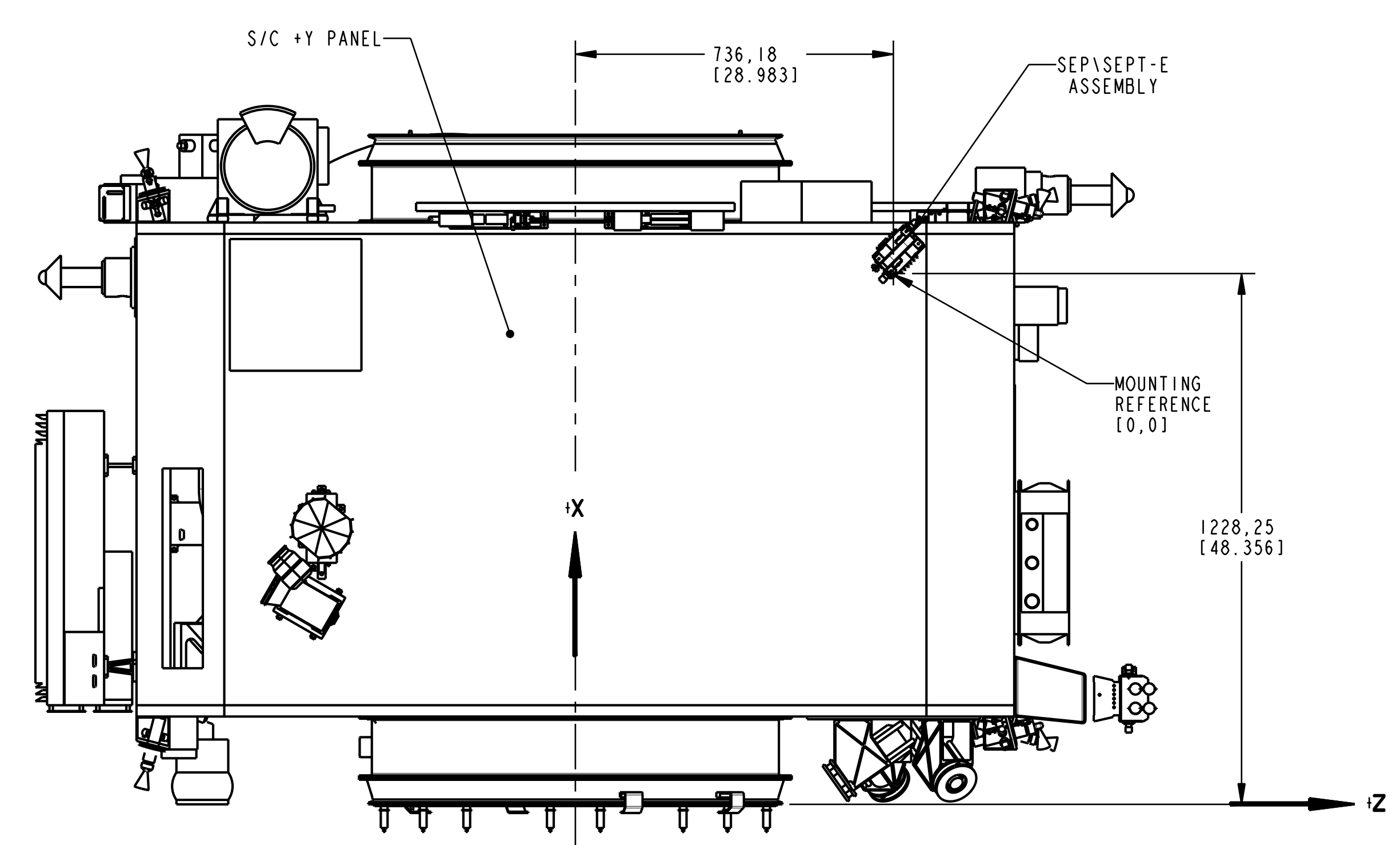
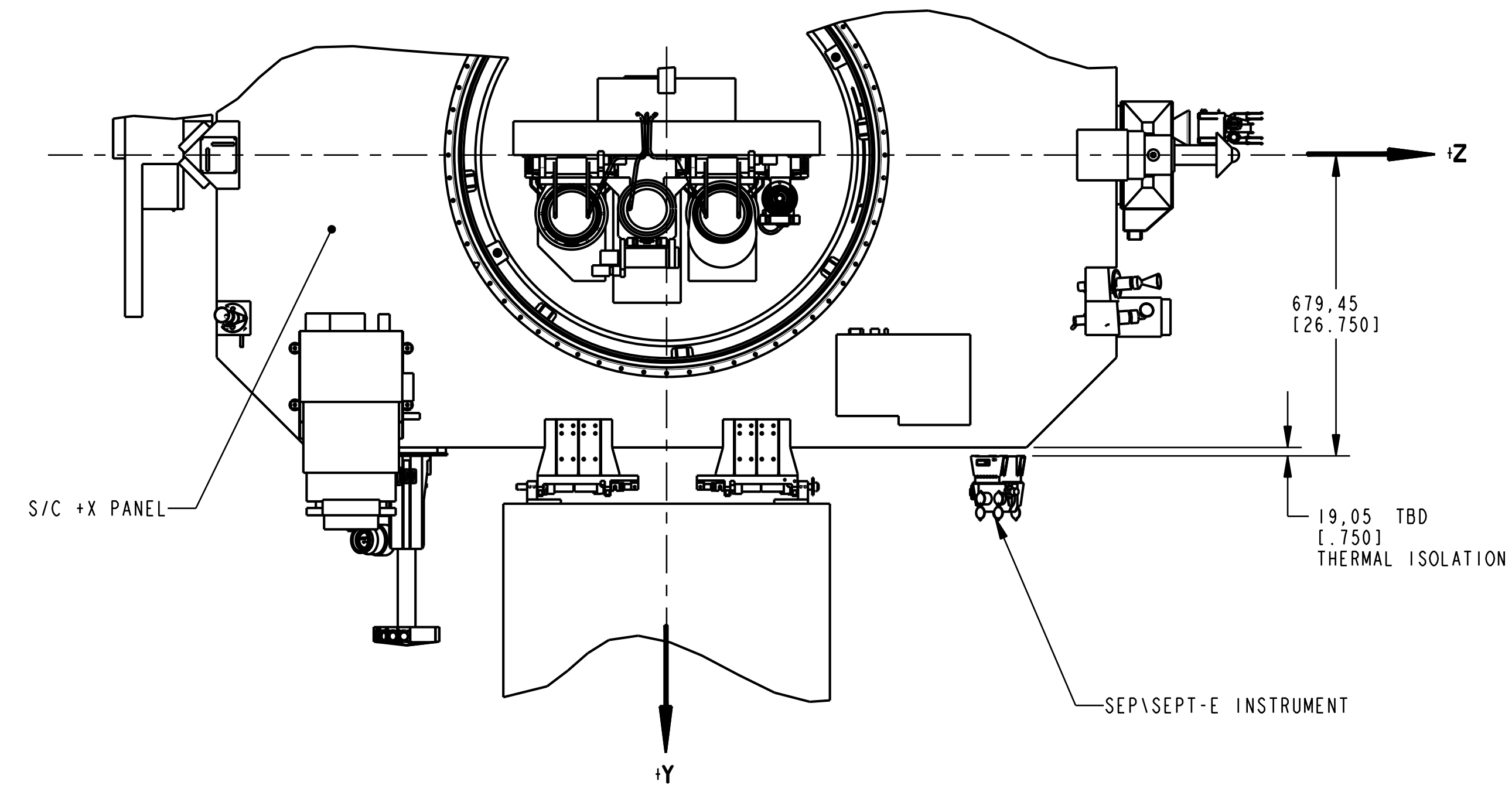
DIMENSIONS ARE IN MILLIMETERS (INCHES)

THIS DRAWING WAS PRODUCED USING  
SOFTWARE: Pro/ENGINEER VERSION: 2001  
FILE NAME: 2053450  
MODEL NAME: SEPT-DELIVERABLE

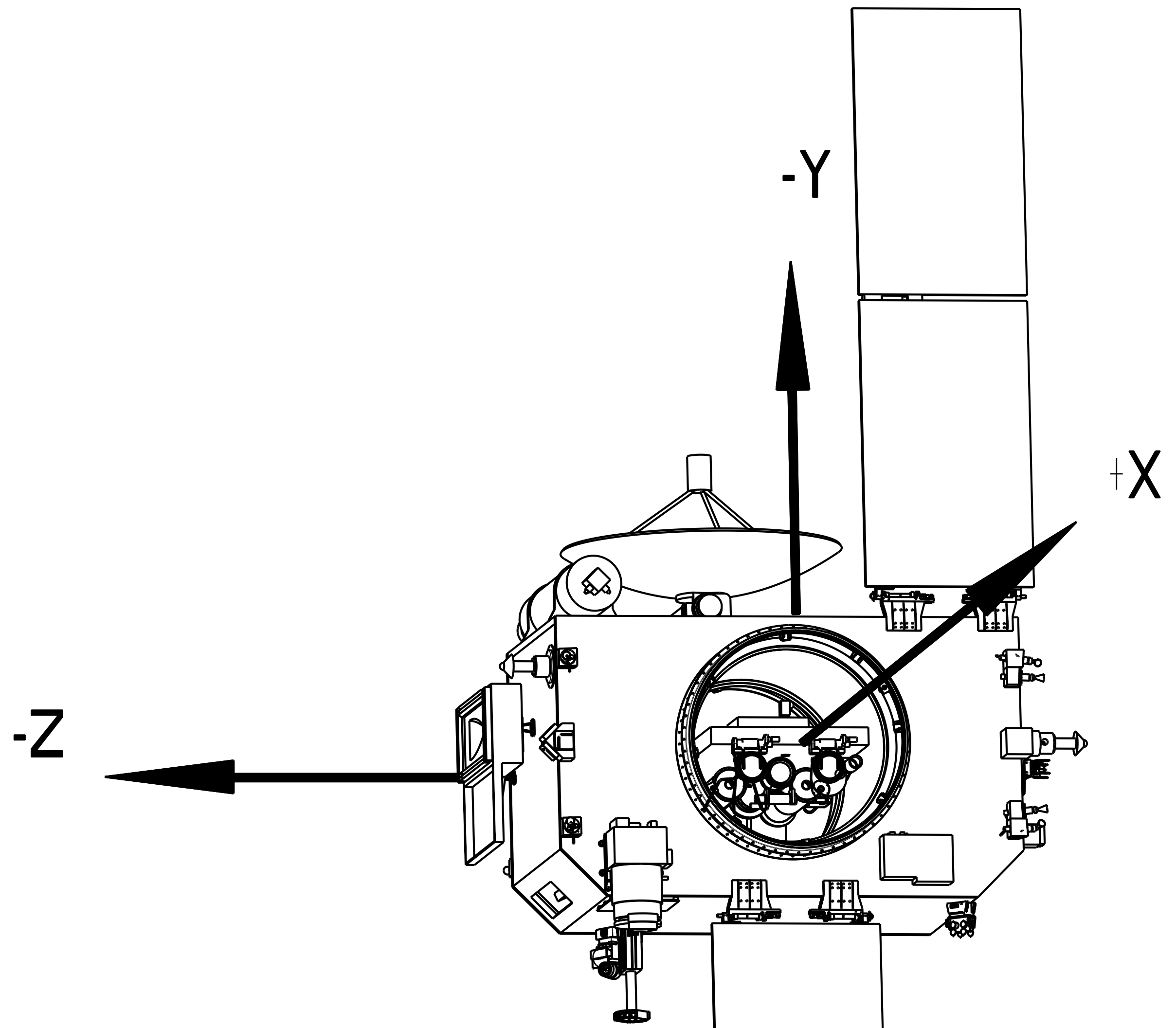
ITEM NO.	RECD	RECD	PART NO.	DESCRIPTION	MATERIAL	MATERIAL SPEC & NO.
LIST OF MATERIAL						
TOLERANCES: XX .XXX ≤ FRACTIONS 125 ±0.10 ±0.05 ±0.1 ±1/16						
REMOVE ALL BURRS AND SHARP EDGES R.010 OR CHAMFER MAX.						
<input checked="" type="checkbox"/> FLIGHT HARDWARE <input type="checkbox"/> NON-FLIGHT <input type="checkbox"/> HARDNESS TEST NOT REQUIRED <input type="checkbox"/> TEST HARDNESS PER ASTM E-18, LOCATION OPTIONAL <input type="checkbox"/> TEST HARDNESS PER ASTM E-18 WHERE INDICATED ON FIELD OF DRAWING THUS ⊕ <input checked="" type="checkbox"/> NO NON-DESTRUCTIVE EXAMINATION (NDE) REQ'D <input type="checkbox"/> NDE REQUIRED PER S-313-009 CODE						
<small>NATIONAL AERONAUTICS AND SPACE ADMINISTRATION</small> <b>Goddard Space Flight Center</b> <small>Greenbelt, Maryland</small>				<small>DRAWING INTERPRETED PER GSFC-4673-64-1</small>		
<small>DESIGNER</small> SHUMAN  <small>DRAWN</small> SHUMAN  <small>CHECKED</small> VONROSEVINGE			<small>TITLE</small>     <b>INTERFACE CONTROL DRAWING SEP\SEPT INSTRUMENTS STEREO BEHIND SPACECRAFT</b>			
<small>APPROVED</small>  <small>APPROVED-STRESS</small>  <small>APPROVED-ENGINEER</small>		<b>GD 2053450</b>				
<small>NEXT ASSEMBLY</small> USED ON		<small>CODE: 663</small> <small>SCALE: AS SHOWN</small> <small>SHEET: 1 OF 4</small>				

GD2053450

REVISION				
SYM	ZONE	DESCRIPTION	DATE	APPROVAL
-	-	-	-	-



**SEP/SEPT-E ASSEMBLY MOUNTING LOCATION**  
 SCALE 0.100  
 SPACECRAFT COORDINATES [X,Y,Z]  
 +1228.25 , +679.45 , +736.18  
 [48.356] [26.750] [28.983]



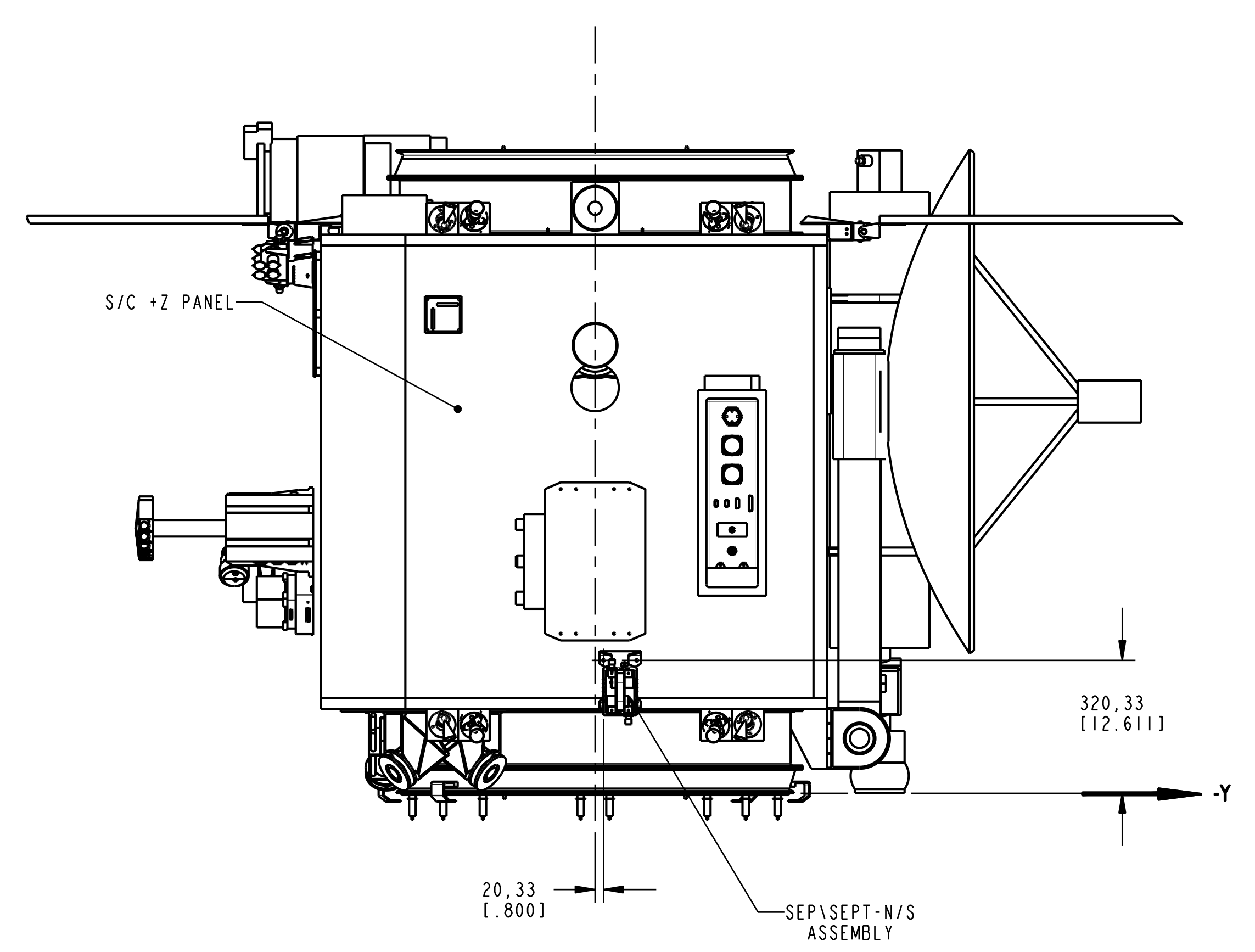
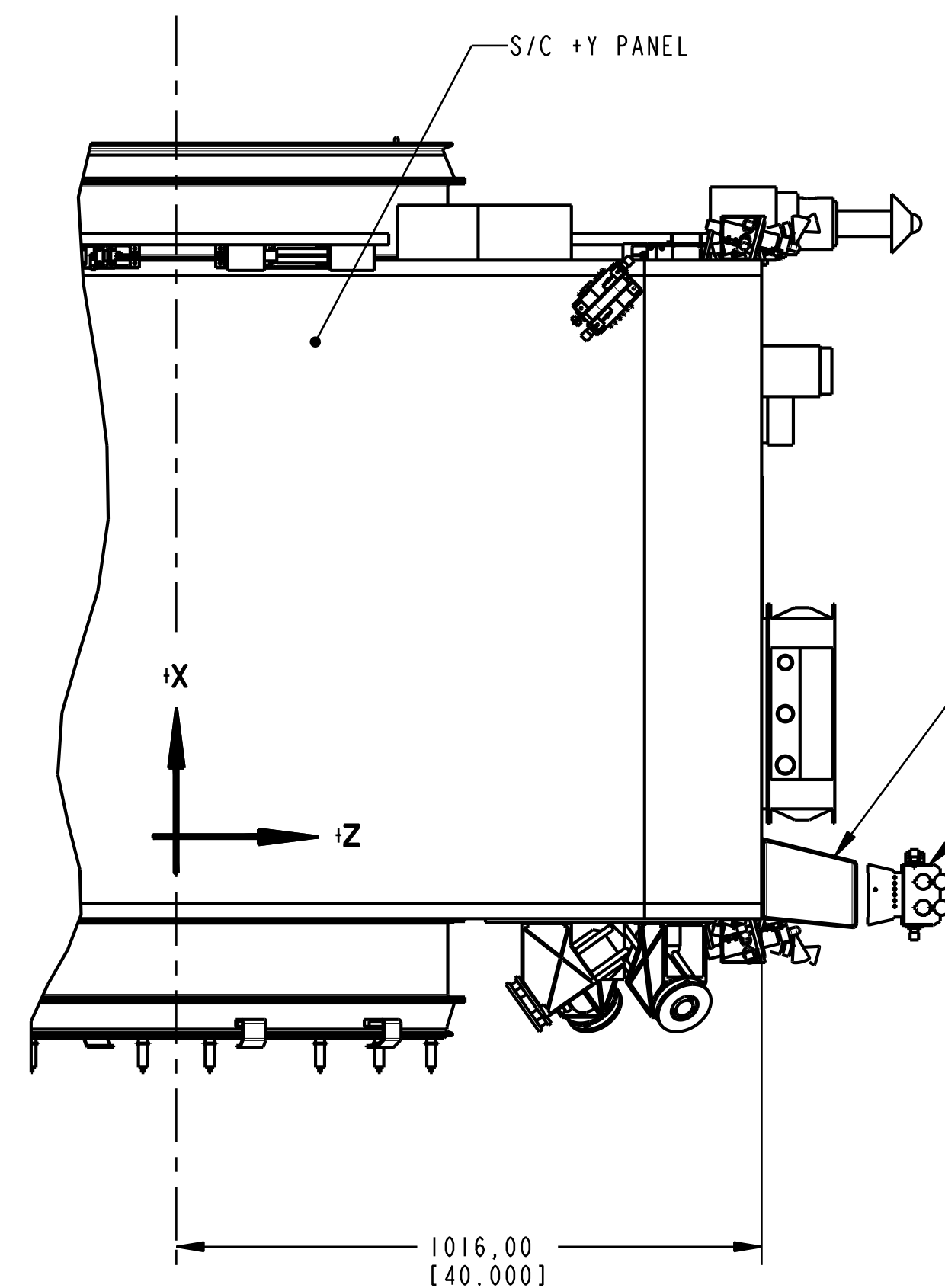
**STEREO BEHIND S/C**  
 SCALE 0.063

DIMENSIONS ARE IN MILLIMETERS  
 (INCHES)

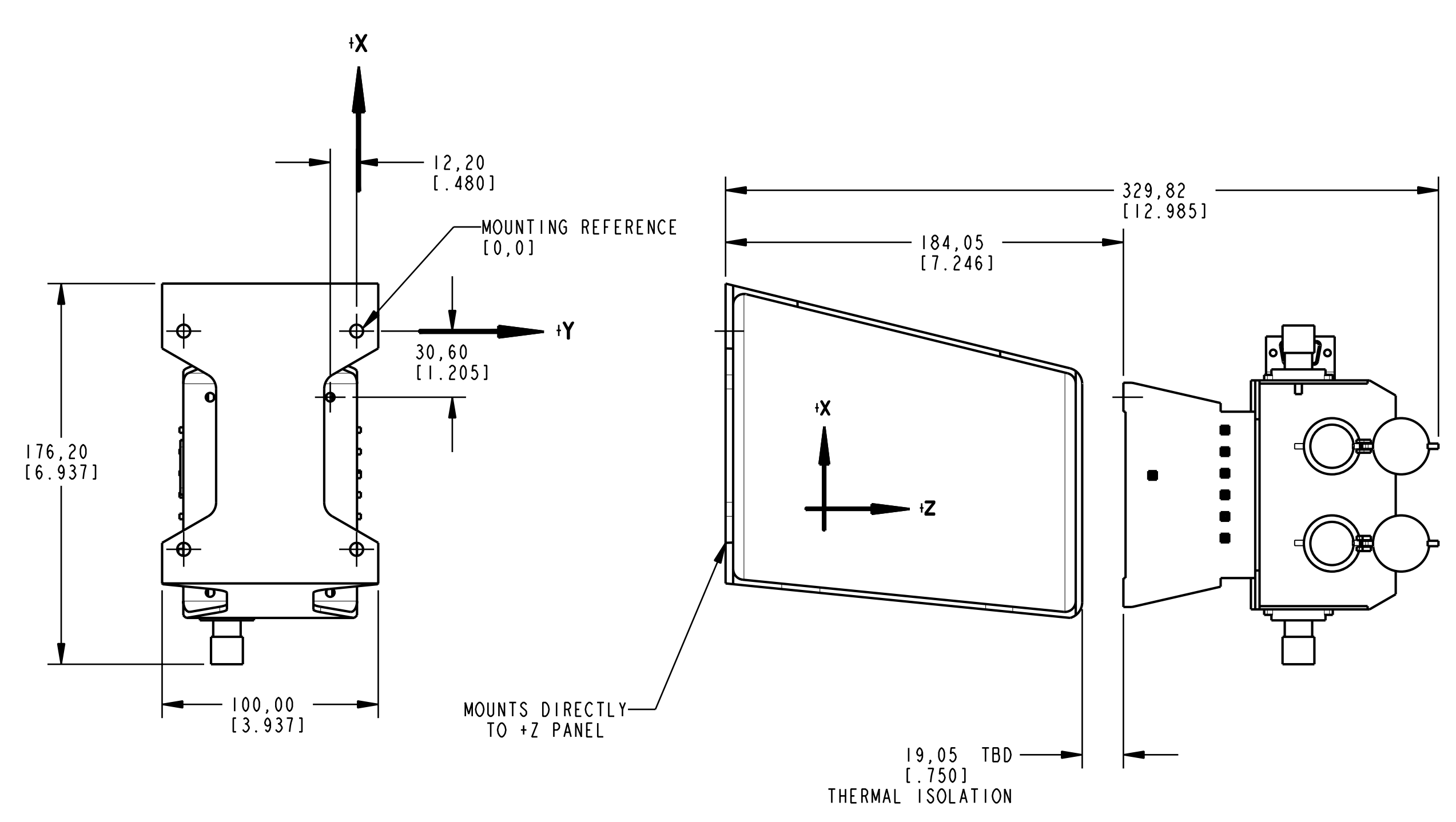
NATIONAL AERONAUTICS AND SPACE ADMINISTRATION		Goddard Space Flight Center		Greenbelt, Maryland
NAME	INIT.	DATE	DRAWING INTERPRETED PER GSFC-X673-64-1	
DESIGNER SHUMAN			<b>INTERFACE CONTROL DRAWING          SEP/SEPT INSTRUMENTS          STEREO BEHIND SPACECRAFT</b>	
DRAWN SHUMAN				
CHECKED ---				
APPROVED ---				
APPROVED ---				
APPROVED-STRESS ---			<b>GD</b>	<b>2053450</b>
APPROVED-ENGINEER ---			CODE: 663	SCALE: AS SHOWN
			SHEET: 2 OF 4	

FOLD LINE  
 REFERENCE  
 GD 2053450

REVISION				
SYM	ZONE	DESCRIPTION	DATE	APPROVAL
-	-	-	-	-



**SEP/SEPT-N/S BRACKET MOUNTING LOCATION**  
 SCALE 0.100  
 SPACECRAFT COORDINATES (X,Y,Z)  
 +320.33, -20.33, +1016.00  
 [12.611] [.800] [40.000]



**SEPT-NS BRACKET ATTACHMENT**  
 SCALE 0.500

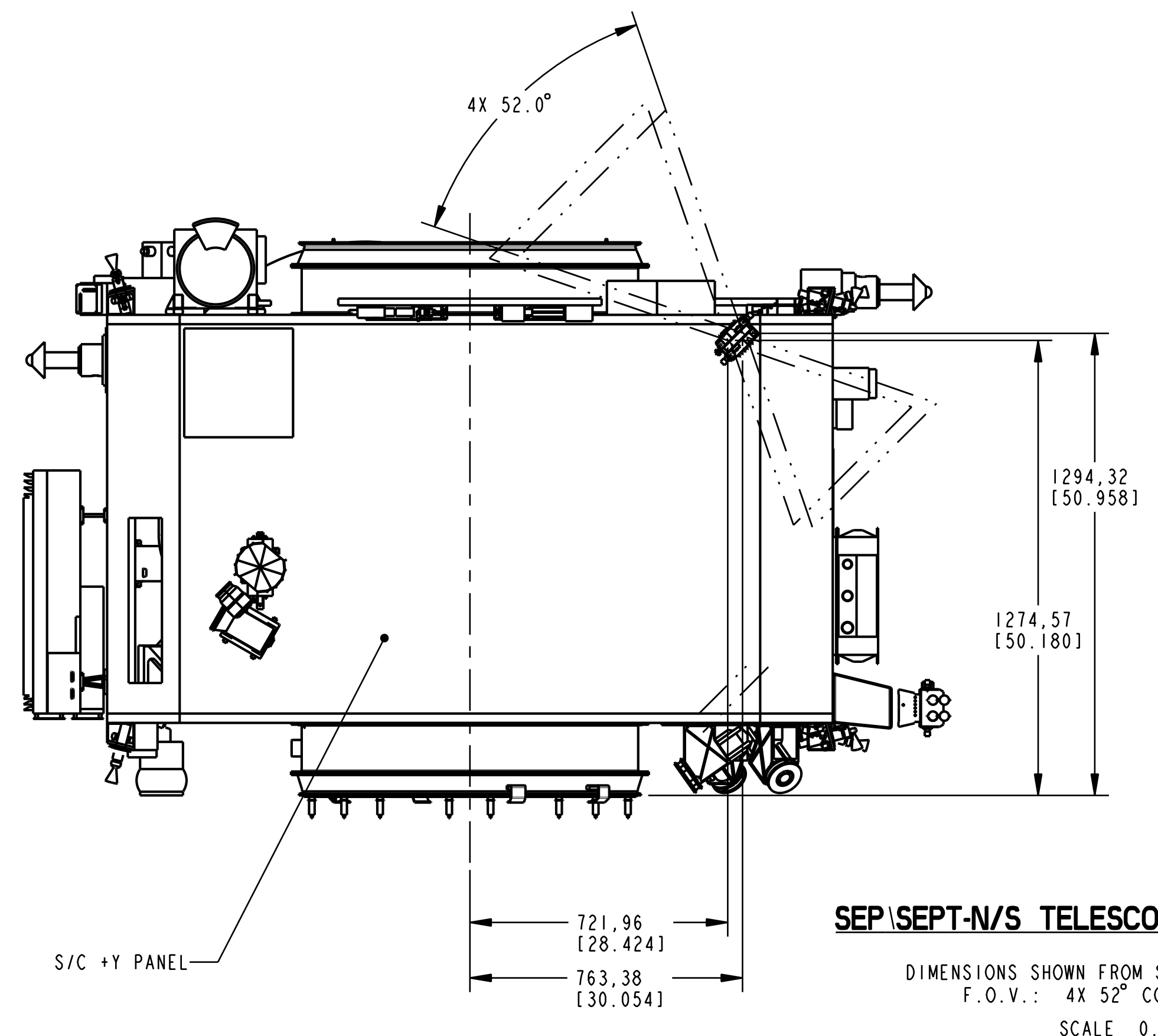
DIMENSIONS ARE IN MILLIMETERS  
 (INCHES)

NATIONAL AERONAUTICS AND SPACE ADMINISTRATION		Goddard Space Flight Center		Greenbelt, Maryland
NAME	INIT.	DATE	DRAWING INTERPRETED PER GSFC-X673-64-1	
DESIGNER	SHUMAN		TITLE	
DRAWN	SHUMAN		<b>INTERFACE CONTROL DRAWING            SEP/SEPT INSTRUMENTS            STEREO BEHIND SPACECRAFT</b>	
CHECKED	- - -			
APPROVED	- - -			
APPROVED	- - -			
APPROVED-STRESS	- - -			
APPROVED-ENGINEER	- - -		<b>GD</b>	<b>2053450</b>
CODE: 663			SCALE: AS SHOWN	SHEET: 3 OF 4

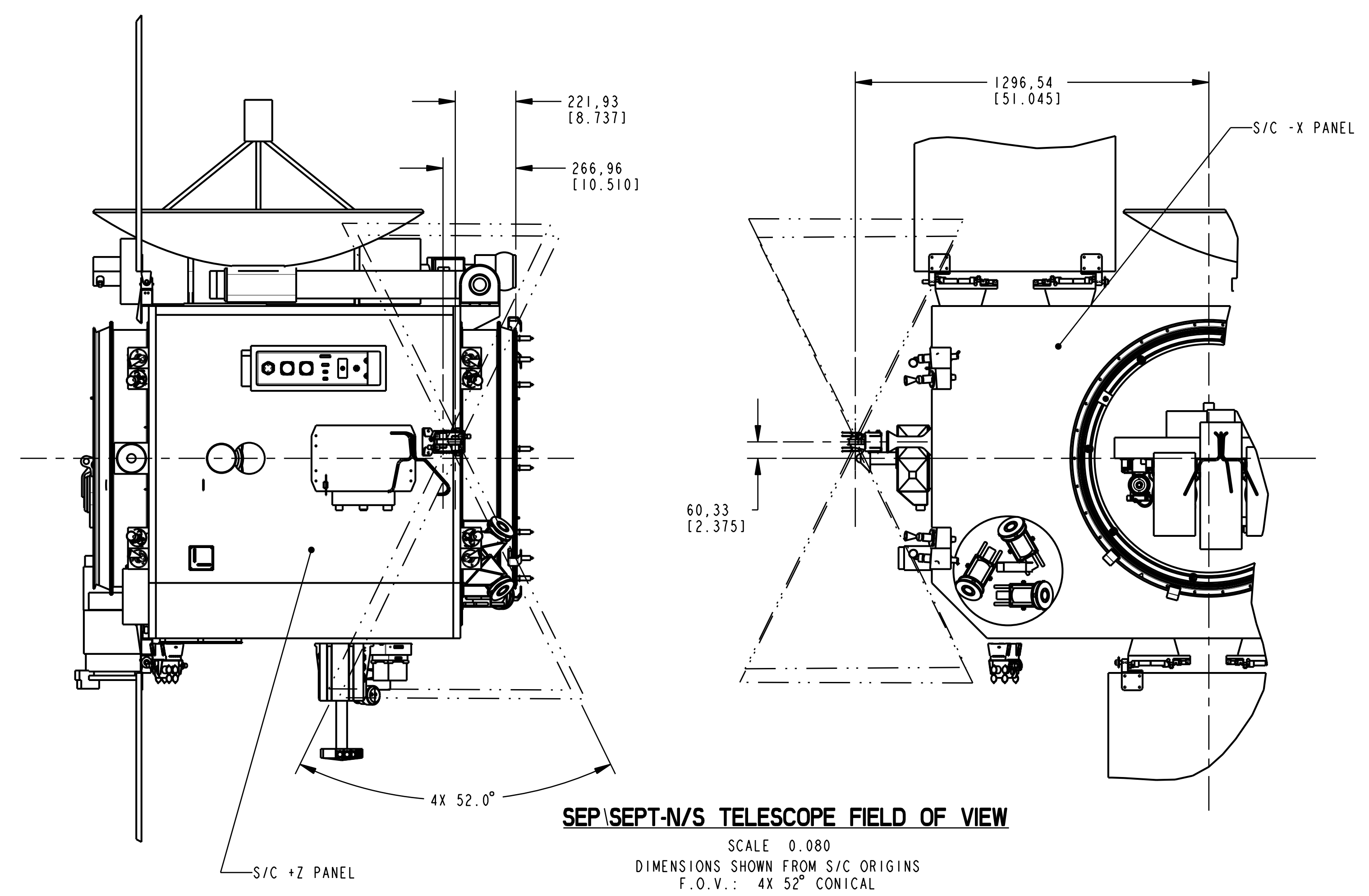
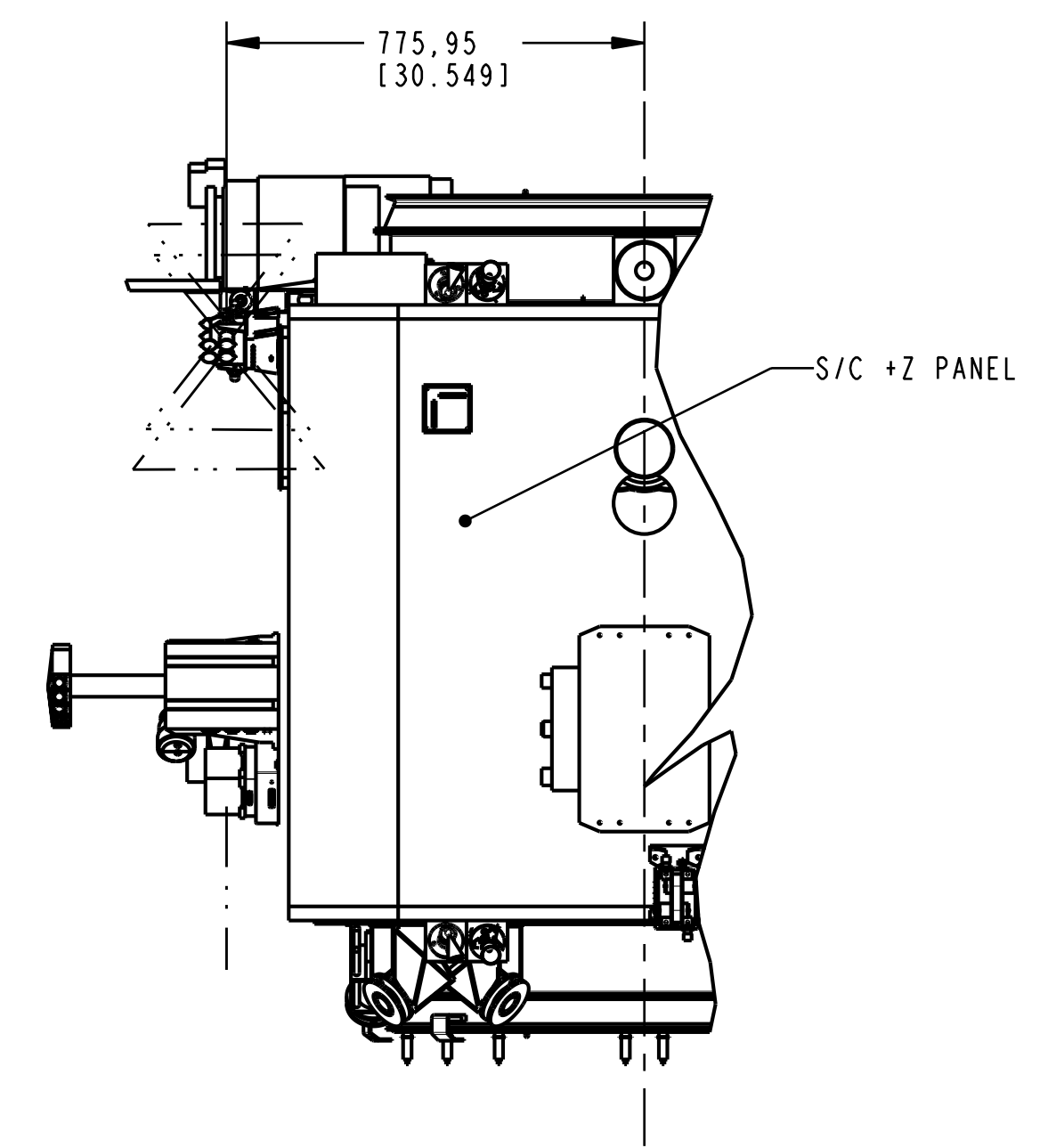
GD2053450

FOLD LINE

REVISION				
SYM	ZONE	DESCRIPTION	DATE	APPROVAL
-	-	-	-	-



**SEP/SEPT-N/S TELESCOPE FIELD OF VIEW**  
 DIMENSIONS SHOWN FROM S/C ORIGINS  
 F.O.V.: 4X 52° CONICAL  
 SCALE 0.080



**SEP/SEPT-N/S TELESCOPE FIELD OF VIEW**  
 SCALE 0.080  
 DIMENSIONS SHOWN FROM S/C ORIGINS  
 F.O.V.: 4X 52° CONICAL

DIMENSIONS ARE IN MILLIMETERS  
 (INCHES)

NATIONAL AERONAUTICS AND SPACE ADMINISTRATION			Goddard Space Flight Center		Greenbelt, Maryland
NAME	INIT.	DATE	DRAWING INTERPRETED PER GSFC-6673-64-1		
DESIGNER			<b>INTERFACE CONTROL DRAWING          SEP/SEPT INSTRUMENTS          STERO BEHIND SPACECRAFT</b>		
DRAWN					
CHECKED					
APPROVED					
APPROVED					
APPROVED-STRESS			<b>GD</b>	<b>2053450</b>	
APPROVED-ENGINEER			CODE: 663	SCALE: AS SHOWN	SHEET: 4 OF 4

FOLD LINE  
 GD 2053450  
 RETURN